

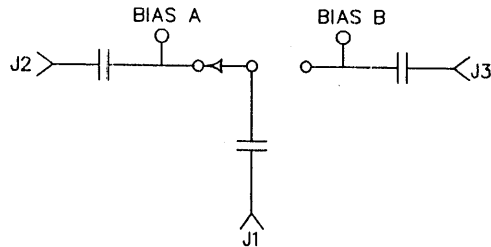
## DESCRIPTION

AMC MODEL SWN-218-2A OPTION: 09F, 011 IS A SINGLE POLE TWO THROW ABSORPTIVE/NON-REFLECTIVE SWITCH MODULE DESIGNED TO OPERATE AT 0.9 GHZ FREQUENCY RANGE WITH AN INSERTION LOSS OF 3.5 dB MAXIMUM, ISOLATION OF 70 dB MINIMUM AND VSWR OF 2.0:1.

## SPECIFICATIONS

- FREQUENCY RANGE: ..... 900 MHz  $\pm$  50 MHz
- INSERTION LOSS: ..... 3.5 dB MAXIMUM
- ISOLATION: ..... 70 dB MINIMUM
- VSWR: ..... 2.0:1
- RISE TIME: ..... 50 nSec MAXIMUM
- FALL TIME: ..... 50 nSec MAXIMUM
- POWER INPUT: ..... +20 dBm CW
- SURVIVAL POWER: ..... 1 WATT CW, 10 WATTS PEAK 1  $\mu$ Sec
- CONTROL: ..... TTL LOGIC "0" = J1-J2 ON  
TTL LOGIC "1" = J1-J3 ON
- POWER SUPPLY: ..... +5V @ 65 mA MAXIMUM  
-5V @ 50 mA MAXIMUM
- CONNECTORS:  
RF: ..... SMA FEMALE  
CONTROL: ..... SOLDER PIN.
- SIZE: ..... 1.20" (L) x 1.00" (W) x 0.50" (H)
- WEIGHT: ..... 1.5 OUNCE TYPICAL

BLOCK DIAGRAM



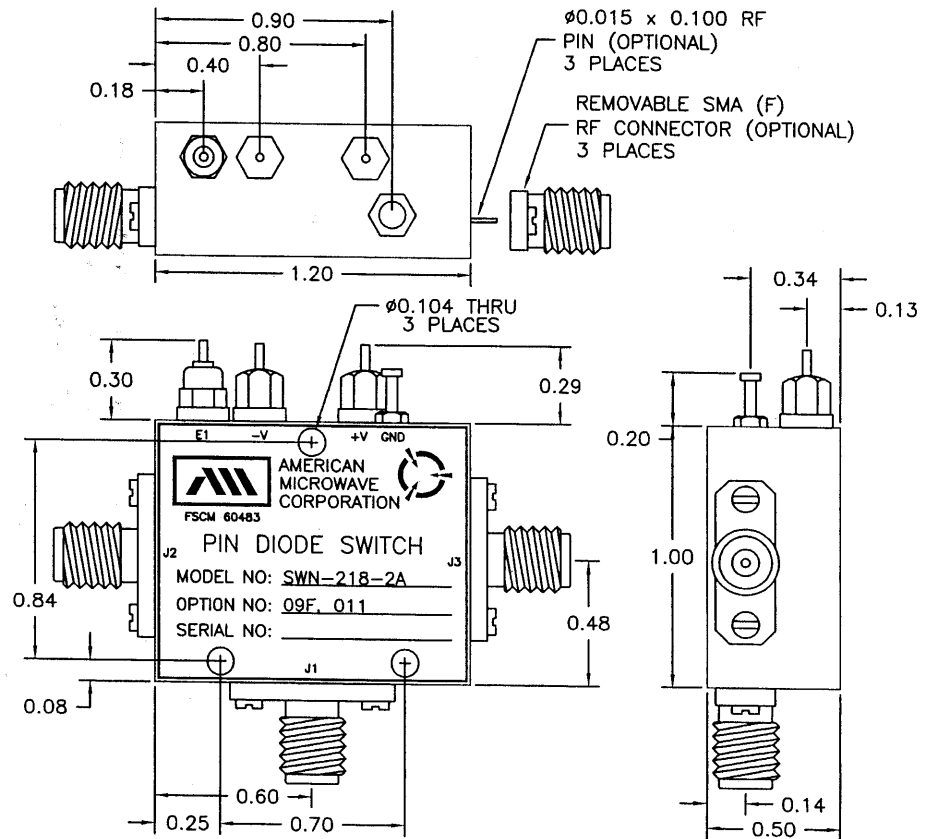
## ENVIRONMENTAL RATINGS

- TEMPERATURE: ..... -55°C TO +85°C (OPERATING)  
-65°C TO +125°C (STORAGE)
- HUMIDITY: ..... MIL-STD-202F, METHOD 103B COND. B
- SHOCK: ..... MIL-STD-202F, METHOD 213B COND. B
- VIBRATION: ..... MIL-STD-202F, METHOD 204D COND. B
- ALTITUDE: ..... MIL-STD-202F, METHOD 105C COND. B
- TEMPERATURE CYCLE: ..... MIL-STD-202F, METHOD 107D COND. A

NOTE: SPECIFICATIONS WILL VARY OVER OPERATING TEMPERATURE  
NOTE: THE ABOVE SPECIFICATIONS ARE SUBJECT TO CHANGE OR REVISION

ALL DIMENSIONS ARE IN INCHES  
TOLERANCES:  
X.XX  $\pm$ 0.020  
X.XXX  $\pm$ 0.010

REVISIONS				
ZONE	REV.	DESCRIPTION	DATE	APPROVED
		- ORIGINAL RELEASE JOB# 402018-2	1/12/04	



## AMERICAN MICROWAVE CORPORATION

7311-G GROVE ROAD  
FREDERICK, MARYLAND 21704 USA  
TEL: 301-662-4700 FAX: 301-662-4938  
WEBSITE: [www.americanmicrowavecorp.com](http://www.americanmicrowavecorp.com)  
E-MAIL: [sales@americanmicrowavecorp.com](mailto:sales@americanmicrowavecorp.com)  
ISO 9001:2000 CERTIFIED

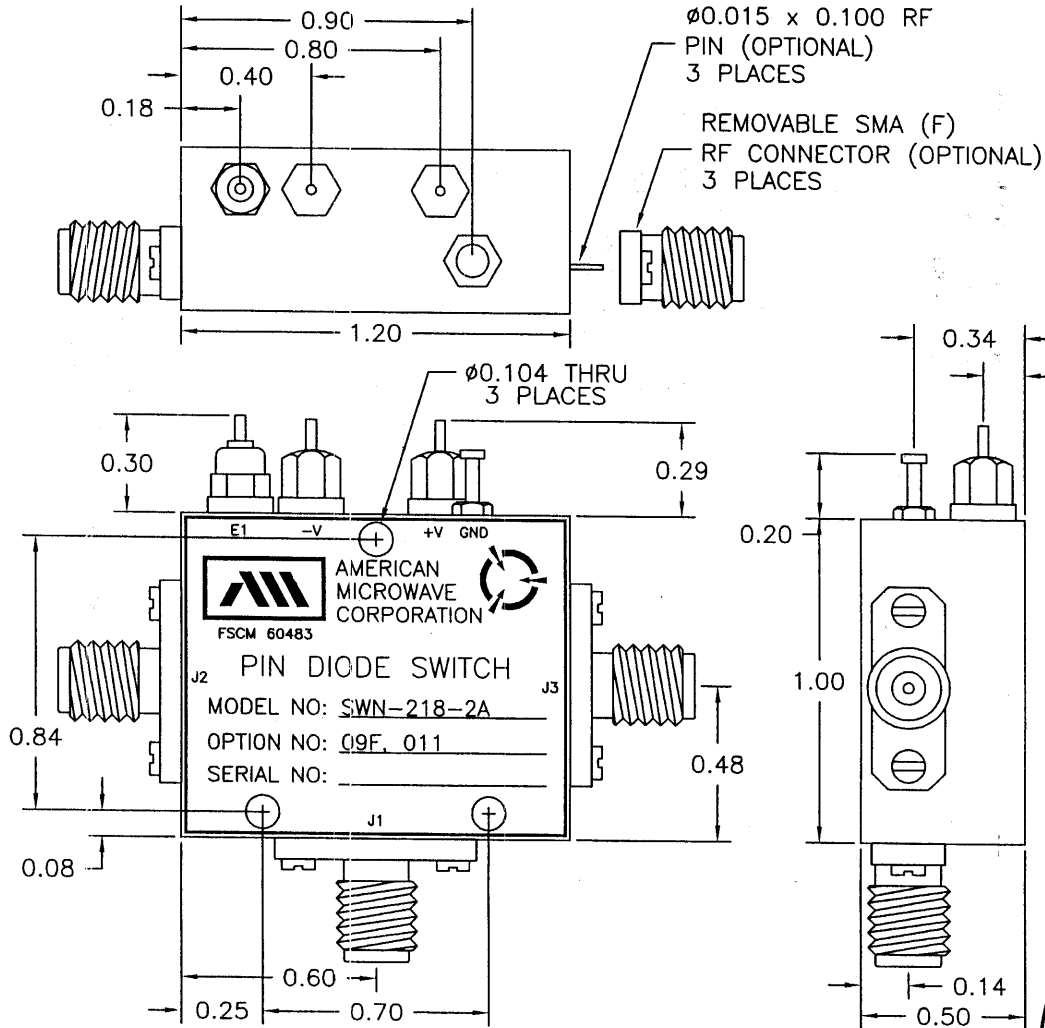


APPROVALS		DATE	TITLE		
DRAWN <i>JKM</i>		1/12/05	PRODUCT FEATURE SWN-218-2A OPTION: 09F, 011 900 MHz, SINGLE POLE TWO THROW SWITCH		
CHECKED <i>MS</i>		1/12/05	SIZE	FSCM NO.	DWG NO.
ISSUED			A	60483	100-7281
			SCALE	N:S	SHEET 1 OF 3

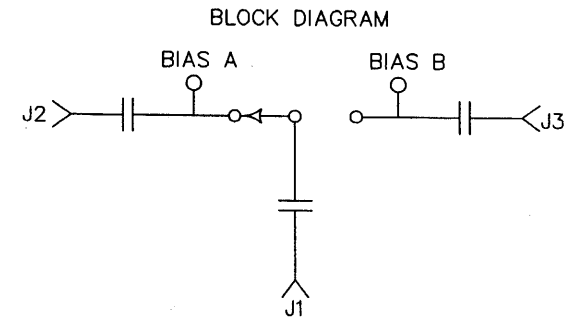
# DESCRIPTION

AMC MODEL SWN-218-2A OPTION: 09F, 011 IS A SINGLE POLE TWO THROW ABSORPTIVE/NON-REFLECTIVE SWITCH MODULE DESIGNED TO OPERATE AT 0.9 GHz FREQUENCY RANGE WITH AN INSERTION LOSS OF 3.5 dB MAXIMUM, ISOLATION OF 70 dB MINIMUM AND VSWR OF 2.0:1.

REVISIONS				
ZONE	REV.	DESCRIPTION	DATE	APPROVED
-	-	ORIGINAL RELEASE JOB# 402018-2	1/12/04	



# MECHANICAL OUTLINE



ALL DIMENSIONS ARE IN INCHES  
TOLERANCES:  
X.XX ±0.020  
X.XXX ±0.010

## AMERICAN MICROWAVE CORPORATION

7311-G GROVE ROAD  
FREDERICK, MARYLAND 21704 USA  
TEL: 301-662-4700 FAX: 301-662-4938  
WEBSITE: [www.americanmicrowavecorp.com](http://www.americanmicrowavecorp.com)  
E-MAIL: [sales@americanmicrowavecorp.com](mailto:sales@americanmicrowavecorp.com)  
ISO 9001:2000 CERTIFIED



APPROVALS		DATE	TITLE			REV.
DRAWN	<i>JKM</i>	1/12/05	MECHANICAL OUTLINE SWN-218-2A OPTION: 09F, 011 900 MHz, SINGLE POLE TWO THROW SWITCH			-
CHECKED	<i>[Signature]</i>	1/14/05	SIZE	FSCM NO.	DWG NO.	
ISSUED			A	60483	100-7281	
			SCALE	N:S		SHEET 2 OF 3